



PRO-CELL CO., LTD.

SPECIFICATION FOR APPROVAL

Customer :

Model No. : PAK-001

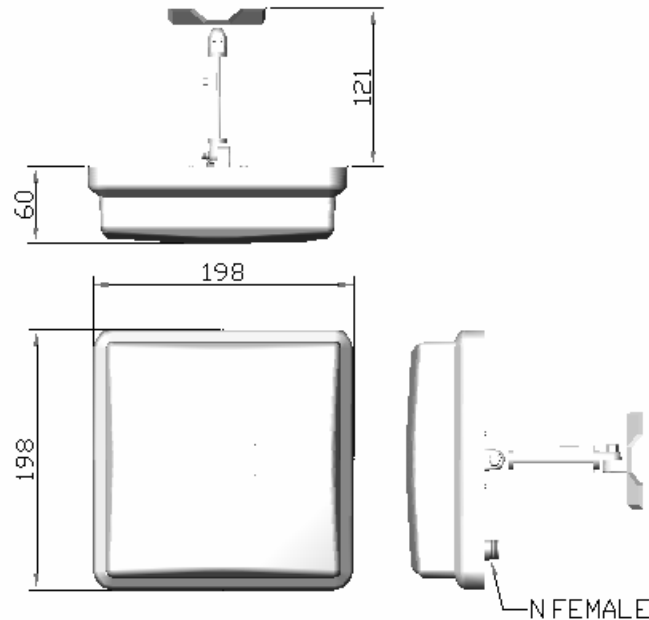
Description : 1.9~2.14GHz PANEL ANTENNA

Date : 2009/01/19

Rev : 1



PRO-CELL CO., LTD.



Electrical Specifications:

Frequency Range :	1.9~2.14GHz
VSWR :	≤ 2.0
Impedance :	$50\Omega \pm 5\Omega$
Gain :	14 dBi
Polarization :	Vertical
Power Handling :	10 Watt
Beam Width :	H: 40° / E: 31.4°

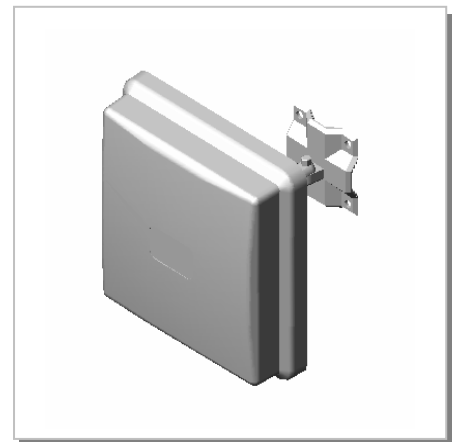
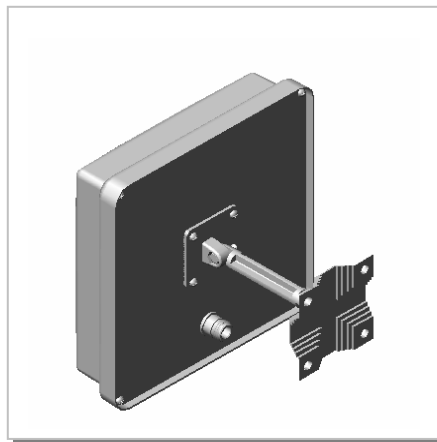
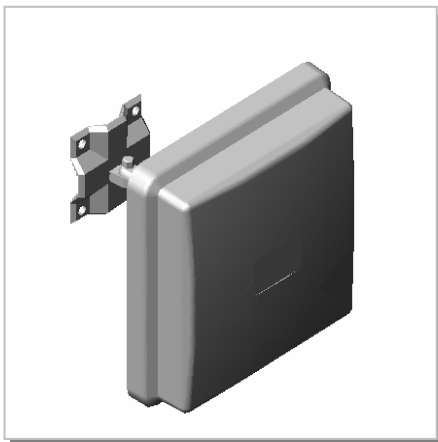
Mechanical Specifications:

Connector :	N Female
Operation Temp. :	$-30^\circ\text{C} \sim +60^\circ\text{C}$
Material :	Radome: ABS Mount: Zinc alloy
Dimension (L*W*H) :	198*198*60 mm
Weight :	$950\text{g} \pm 20\text{g}$ (w/ mount)
Color :	COOL GRAY 5C / WHITE



PRO-CELL CO., LTD.

3D Illustration



PRO-CELL CO., LTD.

No.6, Lane 133, Sec.1 Guo-Ji Road, Ta-yuan Hsiang, Taoyuan, Taiwan. R.O.C.

Tel: 886-3-3858288

Fax: 886-3-3858289

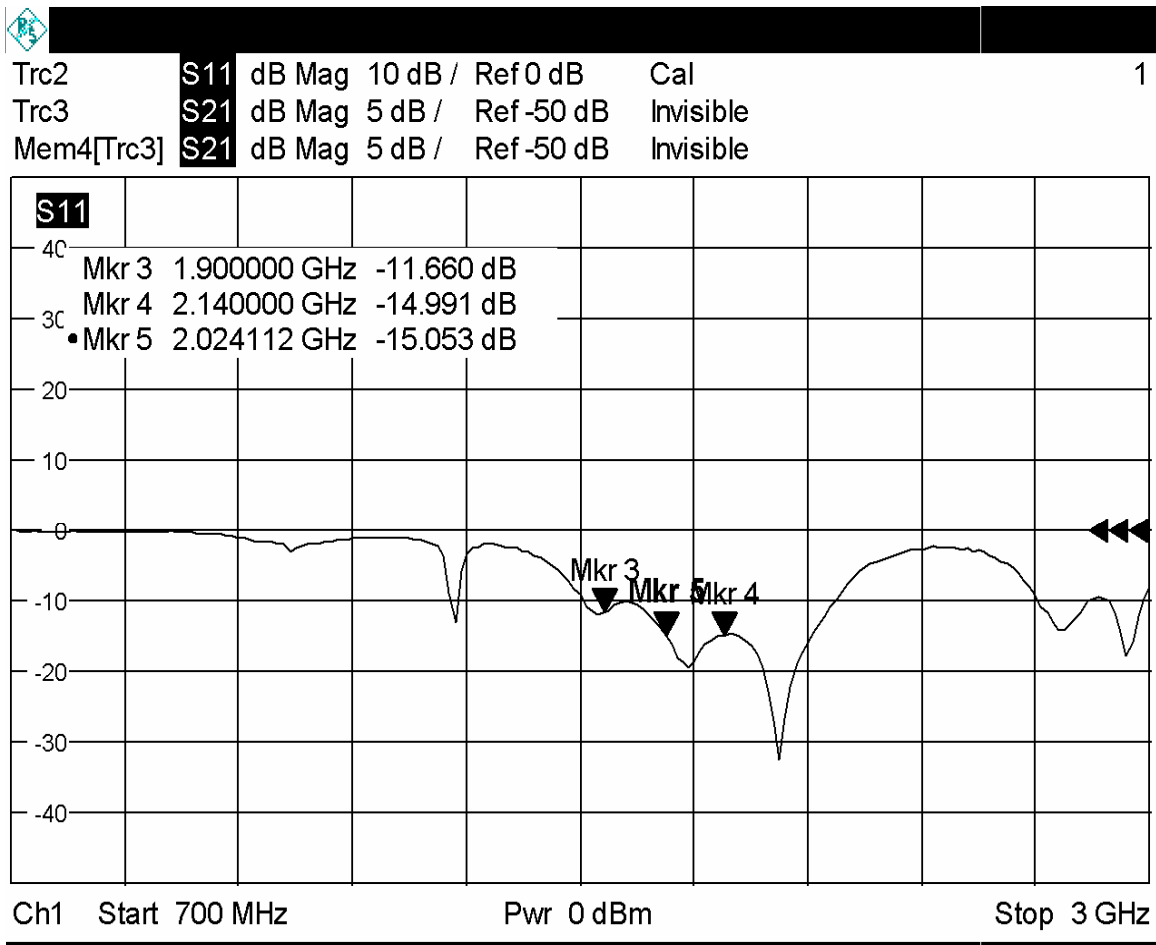
E-mail: sales@antenna.com.tw

<http://www.antenna.com.tw>



PRO-CELL CO., LTD.

RETURN LOSS

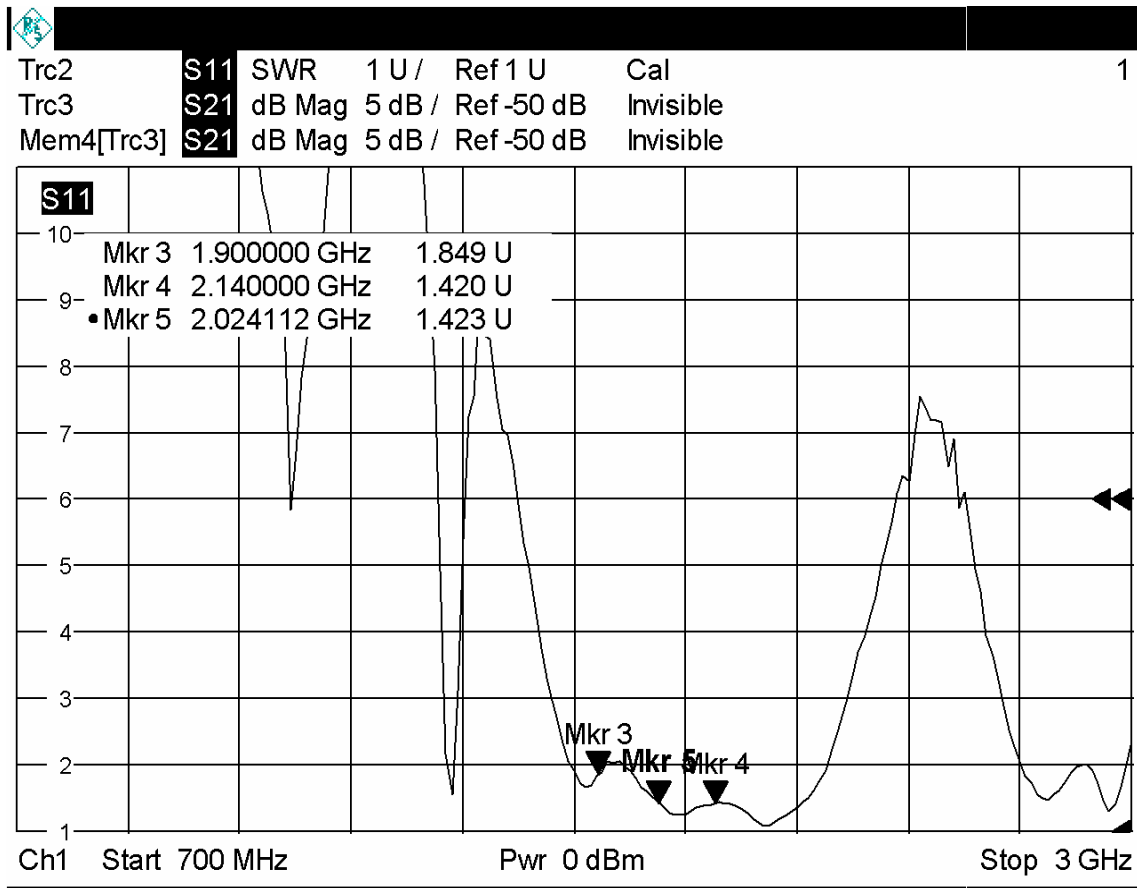


Date: 19.JAN.2009 03:29:24



PRO-CELL CO., LTD.

SWR

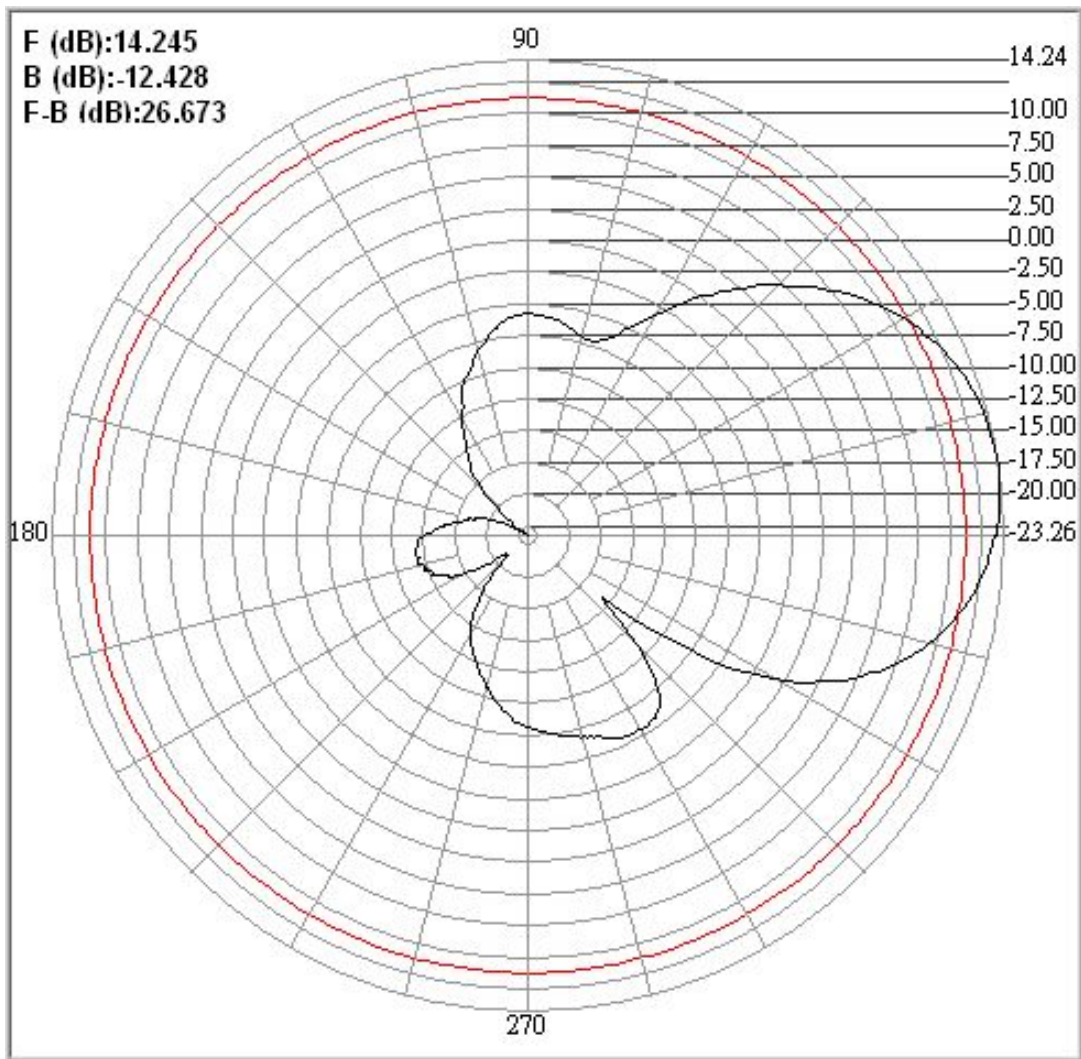


Date: 19.JAN.2009 03:29:39



PRO-CELL CO., LTD.

H-PLANE



PRO-CELL CO., LTD.

No.6, Lane 133, Sec.1 Guo-Ji Road, Ta-yuan Hsiang, Taoyuan, Taiwan, R.O.C.

Tel: 886-3-3858288

Fax: 886-3-3858289

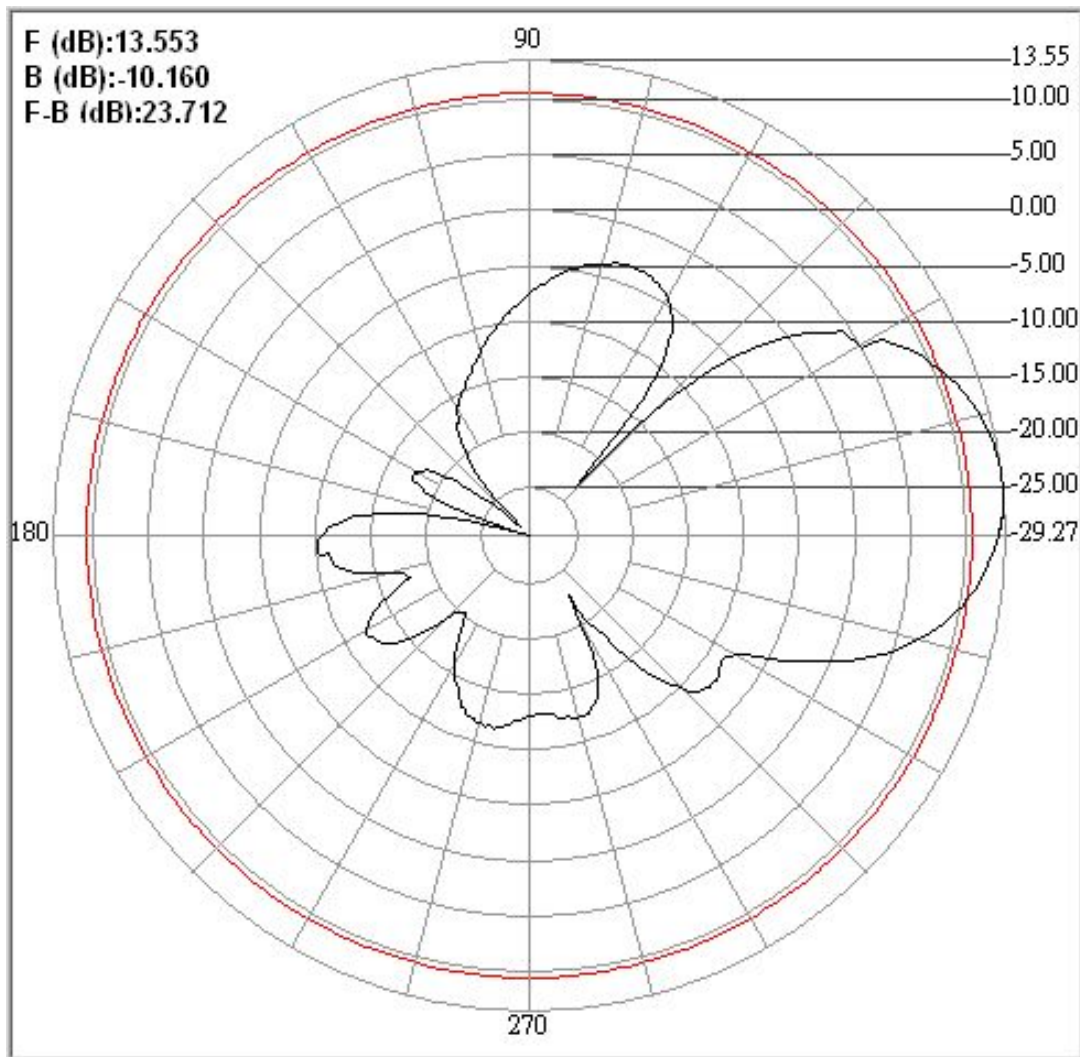
E-mail: sales@antenna.com.tw

<http://www.antenna.com.tw>



PRO-CELL CO., LTD.

E-PLANE



PRO-CELL CO., LTD.

No.6, Lane 133, Sec.1 Guo-Ji Road, Ta-yuan Hsiang, Taoyuan, Taiwan, R.O.C.

Tel: 886-3-3858288

Fax: 886-3-3858289

E-mail: sales@antenna.com.tw

<http://www.antenna.com.tw>